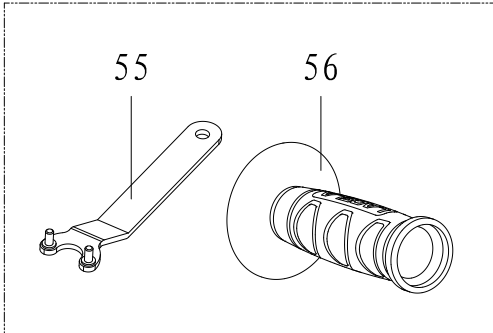


头壳组件57  
由8-14-15-16-20-22-23组成



Version No.	D	Enable Time	2022.9
-------------	---	-------------	--------

No.	Part Name(Chinese)	Part Name(English)	Code	Qty	No.	Part Name(Chinese)	Part Name(English)	Code	Qty
1	上压板	Out Flange	10305001097	1	45	开关橡皮帽	Switch rubber cap	10102004038	1
2	砂轮机100	Grinding Wheel 100	21201006041	1	46	机壳	Housing	10101001454	1
3	下压板	Inner Flange	10305001081	1	47	电缆压板	Cord Anchor	10101011123	1
4	砂轮罩100	Guard 100	10401001062	1	48	电容	Capacitor	10603001001	1
5	输出轴	Output Spindle	10301001127	1	49	塑料接线排3	Plastic wiring block 3	30802008	1
6	防尘盖	Dust Proof Cover	10401002015	1	50	商标	Trademark	20402007170	1
7	带平弹垫螺钉M4×14	Screw M4×14	30201011	4	51	电源线2×0.75	Cord 2×0.75	10602006007	1
8	前盖	Front Cover	10203004084	1	52	自攻螺钉ST4×14	Screw ST4×14	30202019	1
9	O形圈46×1	O Ring 46×1	10102003219	1	53	后罩	Rear cover	10101003134	1
10	轴承6001	Bearing 6001	30103178	1	54	电缆护套	Cord Sleeve	10102001022	1
11	轴承压盖	Bearing Cover	10401002048	1	55	带销扳手20	Wrench	21201002057	1
12	带平弹垫螺钉M4×10	Screw M4×10	30201004	3	56	侧手柄M8	Side Handle	21201001041	1
13	大锥齿轮	Big Gear	10302009048	1	57	头壳组件	Gear box complete	10701001100	1
14	滚针轴承HK0709	Needle bearing HK0709	30101011	1					
15	自锁销	Self Lock Pin	10306001034	1					
16	O形圈7(外)×1	O Ring 7×1	10102003129	1					
17	自攻锁紧螺钉M4×6	Screw M4×6	30201043	1					
18	储油块	Oil Storage Chunk	21201007010	1					
19	储油卡板	Oil Storage Snap-gauge	10401004009	1					
20	头壳	Gear Box	10201004303	1					
21	自攻螺钉ST4×22	Screw ST4×22	30202032	4					
22	自锁弹簧	Self Lock Spring	10303001120	1					
23	自锁帽	Self-lock Cap	10101007258	1					
24	六角螺母M6	Hex Nut M6	30501104	1					
25	小锥齿轮	Small Gear	10302009049	1					
26	平垫片7×16×0.3	Flat Washer 7×16×0.3	30403119	2					
27	矩形圈22×25×2.5	Ring 22×25×2.5	10102003130	1					
28	轴承608	Bearing 608	30103180	1					
29	羊毛柱5×10	Wool Column	10509001033	1					
30	轴承压盖	bearing cover	10401002062	1					
31	螺钉M4×10	Screw M4×10	30201006	3					
32	转子	Armature	10502001351	1					
33	爬电挡圈	Creepage Retaining Ring	10101006023	1					
34	轴承607	Bearing 607	30103209	1					
35	轴承衬套	Bearing Sleeve	10102002026	1					
36	挡风圈	Air Deflector	10101005204	1					
37	自攻螺钉ST4×60	Screw ST4×60	30202049	2					
38	定子	Stator	10501001326	1					
39	铭牌	Nameplate	20302007639	1					
40	自攻螺钉ST3.5×8	Screw ST3.5×8	30202109	4					
41	刷架	Brush Holder	10606001199	2					
42	碳刷	Carbon Brush	10605001198	2					
43	盘簧	Coil Spring	10303002020	2					
44	开关	Switch	10601001098	1					
Version No.		D			Enable Time			2022.9	